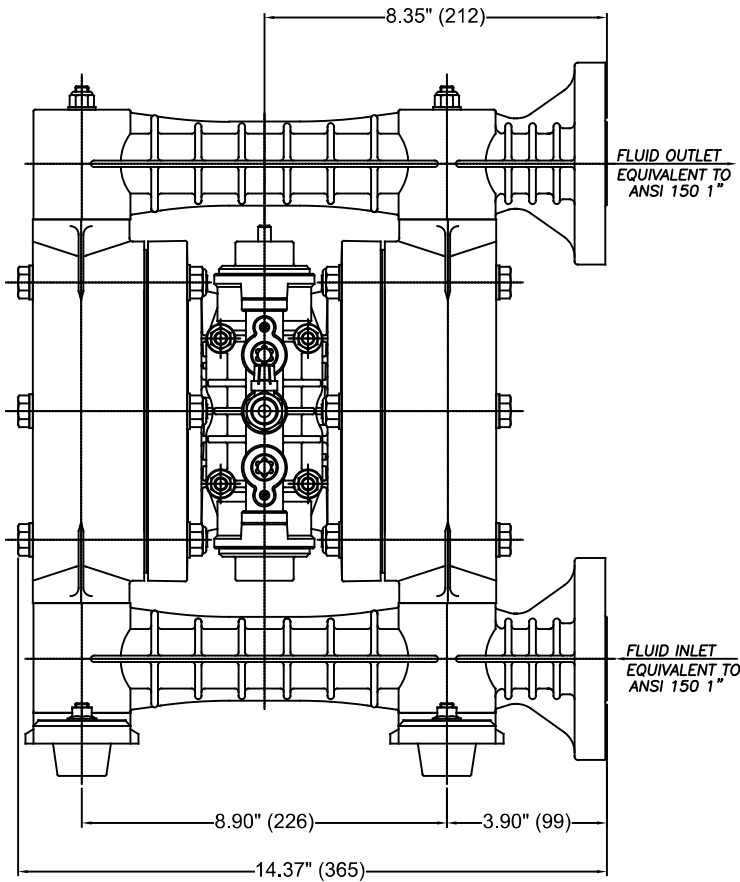
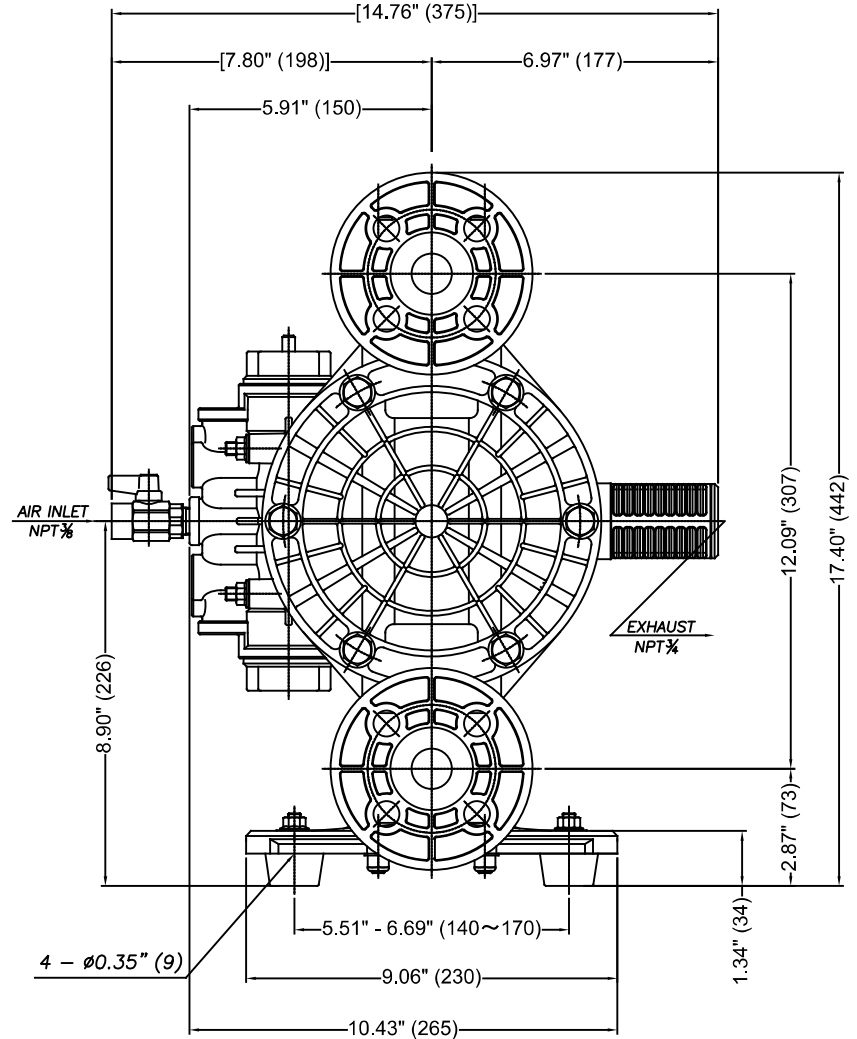



Materials of Construction	
PUMP BODY MATERIAL	PVDF
	T=PTFE
	H=TPEE
DIAPHRAGM MATERIAL	S=TPD
	V=FKM
	E=EPDM



REVISIONS			
REV	DESCRIPTION	DATE	APPROVED
A	RELEASED	01/15/2026	JP



NOTES:
1. SOME FEATURES MAY VARY SLIGHTLY.

PROPRIETARY THIS DRAWING CONTAINS CONFIDENTIAL INFORMATION PROPRIETARY TO IWAKI AMERICA. IT MUST NOT BE REPRODUCED OR FORWARDED TO OTHERS OR USED IN ANY OTHER WAY, IN WHOLE OR IN PART, UNLESS AUTHORIZED IN WRITING BY IWAKI AMERICA.		TOLERANCES DIMENSIONS IN INCHES UNLESS OTHERWISE NOTED X = .050 .XX = .010 .XXX = .00		 www.IwakiAir.com	5 Boynton Rd. Hopping Brook Park Holliston, MA 01746 (508) 429-1440	
MATERIAL SEE CHART		REBURR AND BREAK ALL SHARP EDGES				
BY BA	DATE 01/15/2026	SIZE B	DWG NO. TC-X00196	DESCRIPTION TC-X250V_A		REV A
APPROVED JP	DATE 01/15/2026	SCALE: FULL	THIRD ANGLE PROJECTION	SHEET: 1 OF 1		